

---

## SERVICE BULLETIN

---

Bulletin No. 02-10  
August 23, 2010

To: ITW Ransburg Distributors

Subject: RMA/MMA-303 Ground Cable Connection Improvement

To improve the holding power of the ground/high voltage cable in the applicator manifold assemblies, the current 10mm collet configuration has been replaced with a plastic compression fitting and nut assembly. Current assemblies installed can be reworked if desired, by tapping the existing hole with a ¼-19 NPT thread tap. No drilling is required. Replace the existing collet and o-ring with an 18687-00 Connector Body and a 13521-03 Nut Assembly.

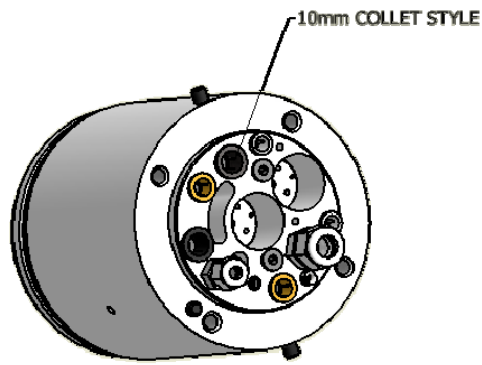
### RMA-303 Indirect Charge Applicator A11600-XXXXX

<u>New Part Number/Description</u>	<u>Old Part Number/Description</u>
A12709-00, turbine manifold assembly	A11699-00
A12708-00, turbine manifold sub-assembly with high voltage contact wire	A11698-00
A12707-00, turbine manifold (machined)	A11697-00

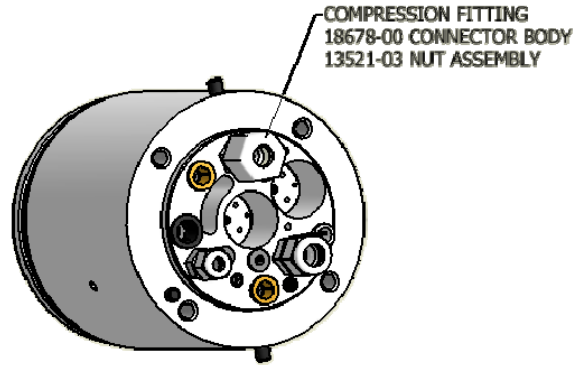
### MMA-303 Direct/Indirect Charge Applicator A12400-XXXXX

<u>New Part Number/Description</u>	<u>Old Part Number/Description</u>
A12711-00, mounting manifold assembly	A11554-00
A12710-00, mounting manifold (machined)	A11553-00

**RMA-303 INDIRECT CHARGE**  
**A11600-XXXXX APPLICATOR**

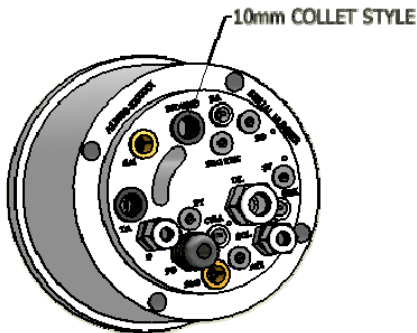


**OLD STYLE A11699-00 TURBINE MANIFOLD ASSEMBLY**  
**GROUND CABLE HOLDING COLLET**

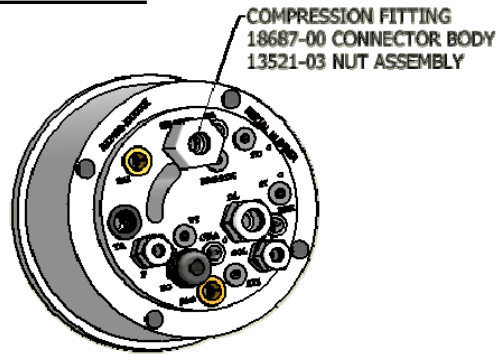


**NEW A12709-00 TURBINE MANIFOLD ASSEMBLY**  
**GROUND CABLE HOLDING FITTING**

**MMA-303 DIRECT/INDIRECT CHARGE**  
**A12400-XXXXX APPLICATOR**



**OLD STYLE A11554-00 MOUNTING MANIFOLD ASSEMBLY**  
**GROUND CABLE HOLDING COLLET**



**NEW A12711-00 MOUNTING MANIFOLD ASSEMBLY**  
**GROUND CABLE HOLDING FITTING**