
SERVICE BULLETIN

Bulletin No. 01-09
March 31, 2009

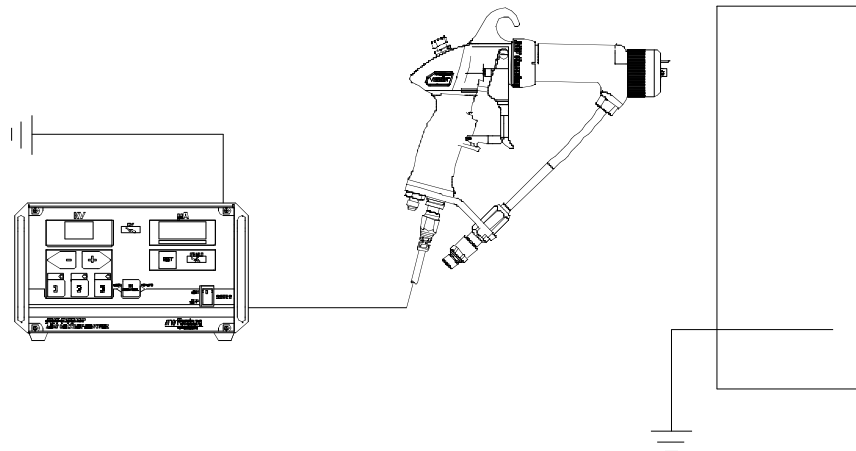
To: ITW Ransburg Distributors

Subject: Proper Grounding of 9050 Control Unit/Power Supply & Parts

Proper grounding of the 9050 Control Unit/Power Supply and parts ensures you meet all 9050 control unit/power supply performance requirements. Proper grounding means that the 9050 Control Unit/Power Supply is **DIRECTLY** connected to a known true earth ground. Do NOT “daisy chain” the 9050 ground wire.

Proper grounding of your target parts means that your target parts are connected to a known true earth or building ground through grounding of the conveyor, rack, etc. Do NOT, “daisy chain”, the target part ground line by connecting it to the ground lug of the 9050 Control Unit/Power Supply. Do not connect the 9050 Control Unit/Power Supply and the target parts to the same ground.

Two separate grounds must be used for the 9050 Control Unit/Power Supply and the target parts.



Ransburg has available for purchase several grounding options. These flat cable options are recommended for providing an unrestricted path for current to be taken to true earth ground.

1. $\frac{3}{4}$ " Flat Braid, Insulated PVC - Part # 78445-00, and it uses clamps on one or both ends - Part # 14298-00.
2. $\frac{1}{2}$ " Flat Braid, Non-Insulated - Part # A10112-05, and it uses a $\frac{3}{8}$ " stud terminal - Part # 13193-00.
3. $\frac{1}{4}$ " Flat Braid, Non-Insulated - Part # A10112-03, and it uses a $\frac{1}{4}$ " stud terminal - Part # 7793-00.

*Note: Connectors are sold separate for all grounding variations.