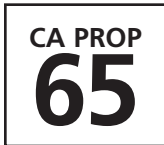


HAF-407 & HAF-408 CleanAir™ MOUNTING BRACKETS



PROP 65 WARNING
 WARNING: This product contains chemicals known to the State of California to cause cancer and birth defects or other reproductive harm.

DESCRIPTION

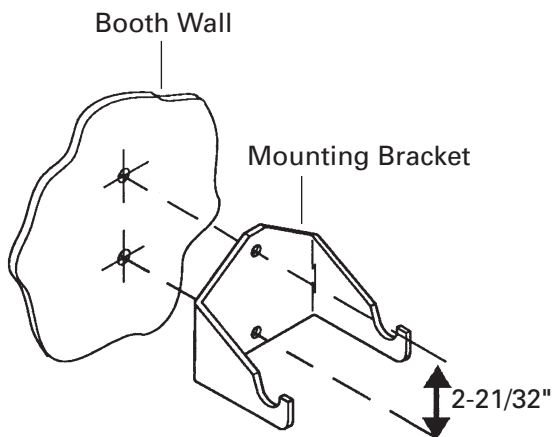
HAF-407 Bracket Assembly Kit – Used with HAF-502, HFRL-508, HAF-505, HAF-517, HAF-518 and 13-0041 (HAF-500).

HAF-408 Bracket Assembly Kit – Used with HAF-503, HAF-508, HAF-509, HFRL-509, HFRL-511, HFRL-512 & HFRL-513.

INSTALLATION

1. Use bracket as template for mounting holes.
2. Drill appropriate sized holes through booth wall as shown. Note two 5/16" round head screws, nuts and lock washers are supplied. If mounting into a solid wall, use anchors (supplied by users).

Figure 1



3. Assemble bracket to wall, positioning "L" bracket in top screw.
4. Tighten **bottom** screw firmly. Leave top screw partially loose so "L" bracket can slide up out of the way.
5. Place CleanAir™ unit in bracket positioning between curved saddle ears.
6. Slide "L" bracket down against top of unit, then firmly tighten the top screw.

Figure 2

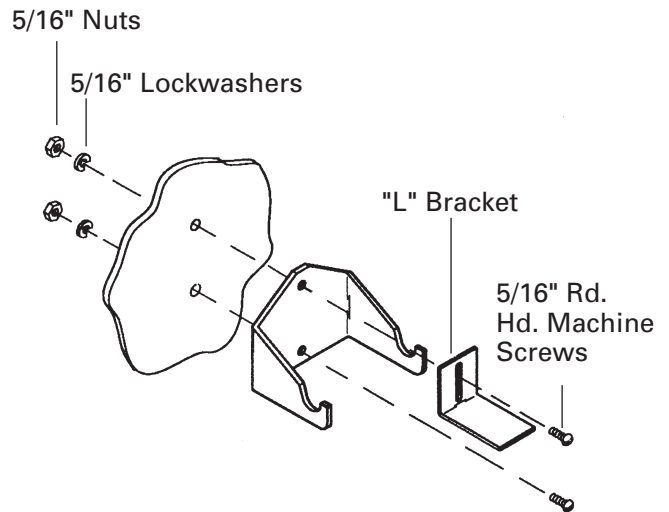
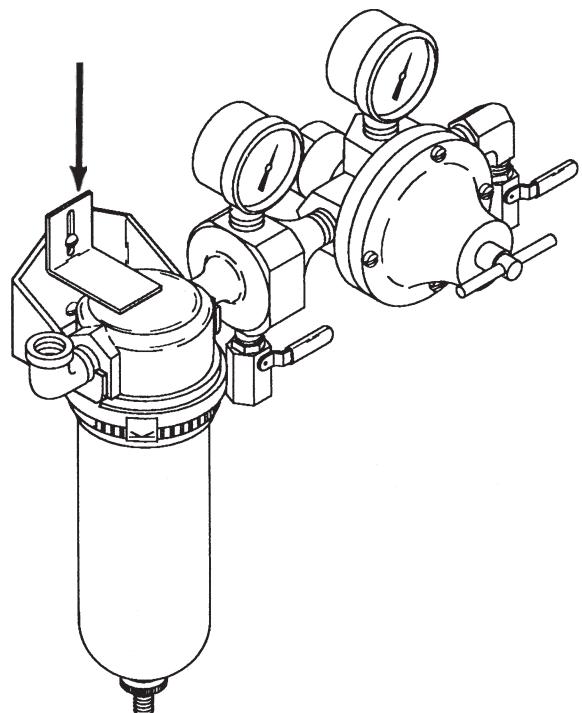


Figure 3



WARRANTY

This product is covered by DeVilbiss' 1 Year Limited Warranty.

DeVilbiss Sales and Service: www.devilbiss.com

DeVilbiss

DeVilbiss has authorized distributors throughout the world. For technical assistance or the distributor nearest you, see listing below.

U.S.A./Canada Customer Service Office:

195 Internationale Blvd., Glendale Heights, IL 60139
Toll-Free Telephone: 1-800-992-4657 (U.S.A. and Canada only)
Toll-Free Fax: 1-888-246-5732

DeVilbiss Automotive Refinishing

DeVilbiss has authorized distributors throughout the world. For equipment, parts and service, check the Yellow Pages under "Automotive Body Shop Equipment and Supplies." For technical assistance, see listing below.

U.S.A./Canada Customer Service Office:

11360 S. Airfield Road, Swanton, OH 43558
Toll-Free Telephone: 1-800-445-3988 (U.S.A. and Canada only)
Toll-Free Fax: 1-800-445-6643

