

Operation Manual: Filter/ Regulator and Coalescer

Important:

Read and follow all instructions and **SAFETY PRECAUTIONS** before using this equipment.

SB-E-8-308



DESCRIPTION

The FLCF-1 is an Air Coalescing Filter unit for single operator use, designed to remove entrained dirt, liquid oil and water from flowing compressed air down to 0.01 microns.

The FLFR-1 is a Filter/Regulator unit. The regulator is a piston type, self relieving design that senses over pressure at

the regulated outlets and vents excessive pressure to atmosphere. The filter will filter the air down to 20 microns.

The FLRC-1 is a combined Filter / Regulator and Coalescer unit of the FLCF and FLFR units.

MODELS

Order No. **FLCF-1** Coalescing Filter unit.

Order No. **FLRC-1** Filter Regulator Coalescer unit. Complete with air pressure gauge.

Order No. **FLFR-1** Filter Regulator unit. Complete with air pressure gauge .

SPECIFICATIONS

Air supply connection $\frac{3}{8}$ " BSP female.
Air outlet connections $\frac{1}{4}$ " BSP male.
Gauge port $\frac{1}{8}$ " BSP female. (where applicable)

Maximum

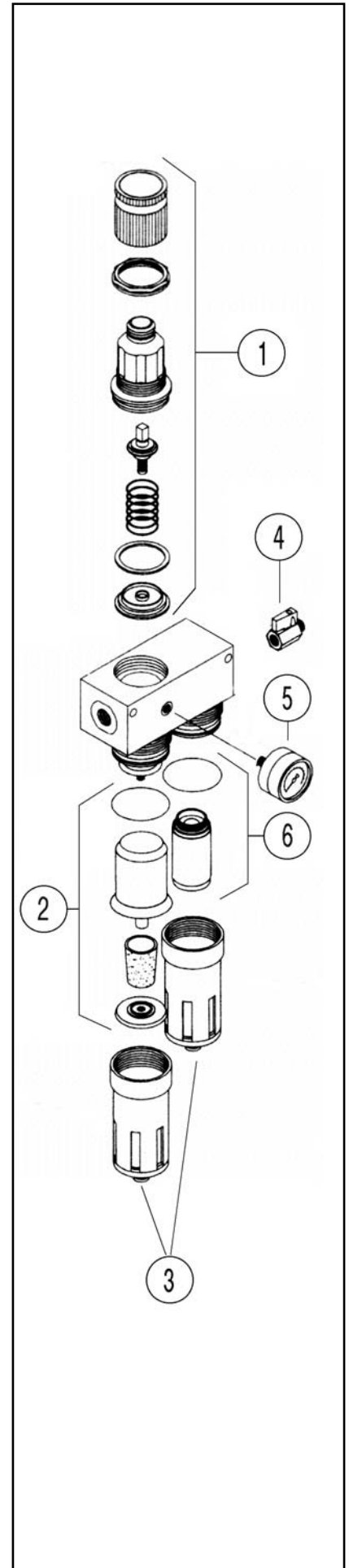
air supply pressure 18 bar
regulated air pressure 8 bar
operating temperature 50° C

SPECIFICATION	FLCF-1	FLRC-1	FLFR-1
Size - Width	60 mm	230 mm	115 mm
Size - Height	180 mm	238 mm	238 mm
Weight	950 g	2300 g	1350 g
Max Air Flow	25 cfm	25 cfm	70 cfm
Filter aperture size	0.01microns	0.01microns	20 microns
Max Pressure drop	1/2 bar	1/2 bar	1/2 bar

PARTS LISTS

Parts List for FLFR-1

Ref No.	Part No	Description
1	9450802	Upper Cover Assembly including piston
2	9450102	Replacement Filter Element
3	9450301	Metal Filter Bowl with drain valve
4	SER-3414-MF	Ball Valve 1/4" BSP (m) & (F)
5	GA-319	Pressure Gauge 0-160 psi



Parts List for FLCF-1

Ref No.	Part No	Description
3	9450301	Metal Filter Bowl with drain valve
6	XA-12	Replacement Filter Element



Parts List for FLRC-1

Ref No.	Part No	Description
1	9450802	Upper Cover Assembly including piston
2	9450102	Replacement Filter Element
3	9450301	Metal Filter Bowl with drain valve
4	SER-3414-MF	Ball Valve 1/4" BSP (m) & (F)
5	GA-319	Pressure Gauge 0-160 psi
6	XA-12	Replacement Filter Element



INSTALLATION

1. Read the Safety Warnings on Page 4 before installation.
2. Install the unit as near as possible to the point of use.
3. An isolation valve should be fitted close to the inlet of the unit to allow condensate to be drained and for ease of maintenance.
4. Connect the air supply to the unit so that the air flows in the direction indicated by the arrows on the body.
5. The unit can be mounted on ridged pipe work, with wall bracket supplied or panel mounted. To bracket/ panel mount, pull regulator knob off and secure to bracket/panel with the 48 x 1.5 mm locknut ,or fix to panel with (4) 5 mm screws.

OPERATION

Regulator (FLFR / FLRC only)

Turn knob counter-clockwise fully, then adjust to the pressure required by turning knob clockwise until the desired pressure is indicated on the gauge. When reducing the pressure, always reduce below the required pressure and adjust upwards.

Note: The adjusting knob has a locking feature, press down to lock, lift to unlock.

Filter drain valve (all models)

The condensate drain valve at the bottom of the filter can be used semi-automatically or manually. The level of condensate can be seen through the vision slots.

For semi-automatic operation : Turn valve knob counter-clockwise. Turn off supply air and open regulated valve to release pressure. If necessary it is possible to drain condensate when the bowl is pressurised by manually pushing the valve up.

Note: The drain valve can be locked to prevent condensate draining by turning the valve clockwise.

MAINTENANCE

Cleaning: The filter element can be removed and cleaned, by removing condensate bowl and unscrewing tie rod.

Note: To unscrew the bowl from the unit, use a compass key (pin spanner) with 3mm diameter pins

SAFETY WARNINGS

MISUSE

- Never exceed the recommended safe working pressure/temperature for any of the equipment used.
- Do not use paint solvents to clean the unit or filter element.
- The fitting of non- recommended or non- original accessories or spare parts may create hazardous conditions.
- Do not install the unit above electrical or any other equipment that will be damaged by discharged condensate.
- Before dismantling the equipment for cleaning or maintenance, all air pressures must be isolated and released.
- When assembling an air pressure gauge to the unit DO NOT use a spanner, always tighten by hand.
- The disposal of non-metallic materials must be carried out in an approved manner. Burning may generate toxic fumes.



ITW Finishing Systems and Products (A division of ITW Ltd)
Ringwood Road
Bournemouth BH11 9LH England
Tel. No. (01202) 571111
Telex No. 41213
Telefax No. (01202) 581940