

## OPERATION MANUAL

### DVFR-2 Filter Regulator Coalescer



## Operation Manual DVFR-2 Filter Regulator Coalescer Important

**Read and follow all instructions and Safety Precautions before using this equipment**

### Description

A compact compressed air Regulator, Filter and Coalescer unit suitable for 1 or 2 operators. The unit is suitable for use with the Respiratory Personal Equipment such as the Devilbiss Air Visor and Half Masks kits.

**Filter** - Incoming air is rotated by a centrifuge unit to remove the heaviest liquid and solid particles. The remaining solid particles are collected by porous bronze filter to 5µm. The accumulated liquid can be drained using the plug in the base of the bowl.

**Regulator** - This allows the input pressure to be reduced to a stable output pressure following initial filterin

**Coalescer** - This removes the smallest amounts of liquids and solids down to 0.01µm. The liquid droplets are captured on micro fibres, these form large droplets and collect in the bowl which can be drained using the plug at the base of the bowl.

**Shut of valves** - Each of the 3 outlets can be isolated independantly.

### Model

**Order No. DVFR-2** Compressed air filter regulator coalescer unit.  
Complete with air pressure gauge, mounting bracket and shut off valves.

### Specifications

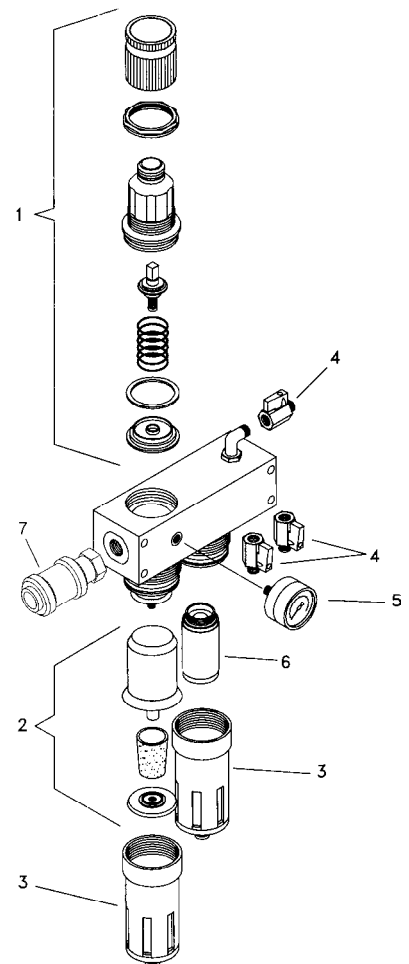
Air supply connection	1/2" BSP female.
Air outlet connections	1/4" BSP male x 3 with shut off valve
Gauge port	1/8" BSP female.
Gauge range	0 -11 bar (0-160 psi)
Size	width 240 mm height 280 mm

Weight	3.2 kg
Maximum:	
air flow	3500 l/min
air supply pressure	13 bar
regulated air pressure	0- 8 bar
operating temperature	100° C

Degree of Filtration : 5µm (sintered Bronze)  
coalescer 99.97 % @ 0.01µm  
(micro fibre)

Filter Condensate and  
Coalescer Drain - Semi Automatic

### Parts List



Ref No	Part No	Description
1	DV-9450806	Upper Cover Assembly including diaphragm
2	DV-9451705	Replacement Filter Element (5 µm Sintered Bronze)
3	DV-9453301-MET	Metal Filter Bowl with drain valve
4	SER-3414-MF	Ball Valve 1/4" BSP (M & F)
5	GA-319	Pressure Gauge 0-11 Bar
6	DV-9451711	Coalescer Filter (0.01µm)
7	DV-8000035	Isolation Valve 1/2"



# SAFETY WARNINGS

## Misuse

- Never exceed the recommended safe working pressure/temperature for any of the equipment used.
- Do not use paint solvents to clean the unit or filter element.
- The fitting of non- recommended or non- original accessories or spare parts may create hazardous conditions.
- Do not install the unit above electrical or any other equipment that will be damaged by discharged condensate.
- Before dismantling the equipment for cleaning or maintenance, all air pressures must be isolated and released.
- When assembling an air pressure gauge to the unit DO NOT use a spanner, always tighten by hand.
- The disposal of non-metallic materials must be carried out in an approved manner. Burning may generate toxic fumes.

## Installation

- Do not install the unit above electrical or any other equipment that could be damaged by discharged condensate oil.
- Ensure air flows through the unit in the direction of the arrows on the body.
- Install the unit as near as possible to the point of use.
- An isolation valve is fitted (7) to the inlet of the unit, for convenience when maintaining and to release condensate and oil from bowls. (see operation) Slide to the right towards the regulator to open. Slide to the left to close.
- The unit should be mounted in an upright position.
- Ensure the earth lead is connected to an earth point and verify continuity from each ball valve (item 4) to another known earth point, a resistance of less than 1k ohm should be achieved for dissipation of electrostatic charge.

## Operation

- Do not exceed the maximum working pressures and temperatures.
- When regulating the pressure always adjust from a lower pressure increasing to the desired pressure, rather than from a higher pressure down.
- To lock the set pressure the knob can be depressed which prevents it being adjusted. To release the lock lift the knob up.
- The drain valve on the bottom of the filter and coalescer can be used manually or semi-automatically.
  - a) Semi-Automatic - The valve push button is rotated to the left, in this mode when the air pressure is exhausted from the unit the push button opens under spring operation.
  - b) Manually - The valve push button rotated to the right shuts off the drain permanently, until it is rotated to the left when it can be pushed up to drain even when the unit is pressurised.

## Maintenance

Always de-pressurise the whole unit prior to carrying out any maintenance work, ensuring no pressure is locked in the unit or items attached to it. The regulator knob should be wound fully to the right to exhaust all pressure after isolating.

Ensure earthing of the unit is not affected by maintenance activities , see installation above.

**Filter** - To replace this item unscrew and remove the bowl, unscrew the central bolt and pull the filter down.

**Coalescer** - To replace this item, unscrew and remove the bowl, then unscrew the coalescer element. Care should be taken when replacing the element not to cross the threads.

**Gauge** - When replacing this item, screw a new gauge in by hand only, do not use a spanner. Seal the thread using a liquid sealant, do not use PTFE tape.

**Filter/Coalescer** periods for replacement.

It is recommended that filter/coalescer elements are replaced periodically i.e. when a drop in pressure is noticeable through the unit or every 6 months.

Do not use solvents or aggressive chemicals to clean the unit, which may affect the materials of construction.

Always use recommended and original parts/accessories.

ITW Finishing Systems and Products  
Ringwood Road,  
Bournemouth,  
BH11 9LH,  
England.  
Tel. No. (01202) 571111  
Telefax No. (01202) 581940,  
Website address <http://www.devilbisseu.com>  
[www.itwifeuro.com](http://www.itwifeuro.com)

ITW Finishing Systems and Products is a Division of ITW Ltd.  
Reg. Office:  
Admiral House,  
St Leonard's Road,  
Windsor,  
Berkshire,  
SL4 3BL,  
UK  
Registered in England: No 559693 Vat No 619 5461 24