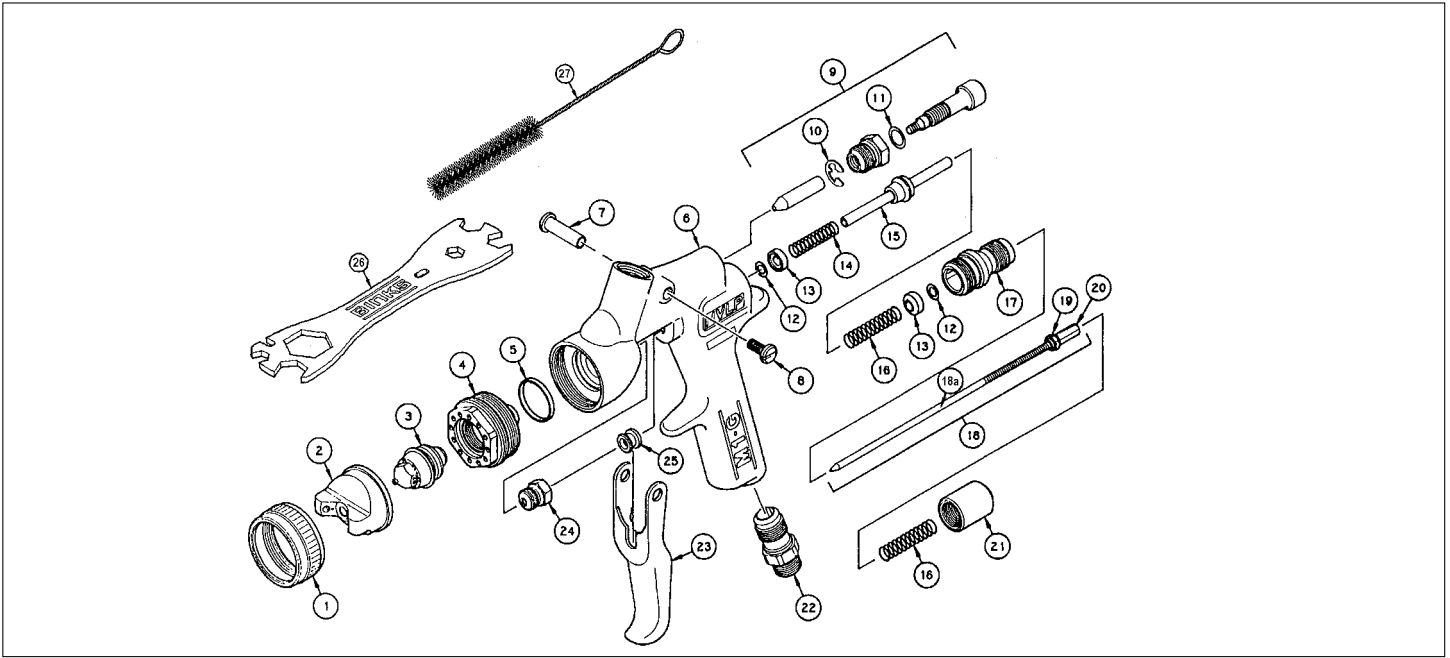


M1G Gravity Feed HVLP Spray Gun



| PARTS LIST | | | | |
|------------|-------------|--------------------------------|-------------------------|---|
| Ref. No. | Part No. | Description | Qty | |
| 1 | 204174 | Retaining Ring | 1 | |
| 2 | See Table 1 | Air Cap | 1 | |
| 3 | See Table 1 | Fluid Nozzle | 1 | |
| 4 | 201128 | Head Insert | 1 | |
| * | 5 | 191493 | Head Insert Seal | 1 |
| 6 | 200126 | Gun Body | 1 | |
| 7 | 191495 | Trigger Stud | 1 | |
| 8 | 191494 | Trigger Screw | 1 | |
| 9 | 191492 | Air Control Assy. | 1 | |
| * | 10 | 166000 | Circlip | 1 |
| * | 11 | 161447 | O-Ring | 1 |
| * | 12 | 161607 | O-Ring | 2 |
| 13 | 191512 | Seal Housing Brass | 2 | |
| * | 14 | 160320 | Spring (27mm) | 1 |
| * | 15 | 187994 | Air Valve Spindle | 1 |
| * | 16 | 160285 | Spring (33mm) | 2 |
| 17 | 187990 | Air Valve Housing (was 191511) | 1 | |
| 18 | 183205 | Needle Assy | 1 | |
| 18a | 183134 | Needle | 1 | |
| 19 | 187992 | Needle Adj. Nut | 1 | |
| 20 | 187991 | Needle Locknut | 1 | |
| 21 | 189660 | Needle Control Knob | 1 | |
| 22 | 180231 | Air Connection 1/4" BSP | 1 | |
| 23 | 191496 | Trigger | 1 | |
| * | 24 | 191490 | Seal Cartridge Assembly | 1 |
| 25 | 189663 | Trigger Spool | 1 | |
| 26 | 191087 | Spanner | 1 | |
| 27 | 180227 | Gun Brush | 1 | |

*Included in spares kit 250481

TABLE 1 : ORDERING INFORMATION

| AIR NOZZLE, MATERIAL NOZZLE AND NEEDLE COMBINATIONS | | | | | | | | |
|---|-----------------|----------|---------------|----------|-------|------------|------|------------------|
| SPRAY GUN | MATERIAL NOZZLE | | | NEEDLE | | AIR NOZZLE | | |
| Part No. | Part No. | Code | Bore | Part No. | Mat'l | Part No. | Code | Air Cons'm (cfm) |
| 100302 | 200522 | 1.4 (94) | 0.055", 1.4mm | 183205 | STST | 200689 | HL10 | (10) [17] |
| 100305 | 200523 | 1.8 (97) | 0.070", 1.8mm | 183205 | | 200689 | HL10 | (10) [17] |
| 100320 Kit | 200522 | 1.4 (94) | 0.055", 1.4mm | 183205 | | 200689 | HL10 | (10) [17] |
| 100321 Kit | 200523 | 1.8 (97) | 0.070", 1.8mm | 183205 | | 200689 | HL10 | (10) [17] |